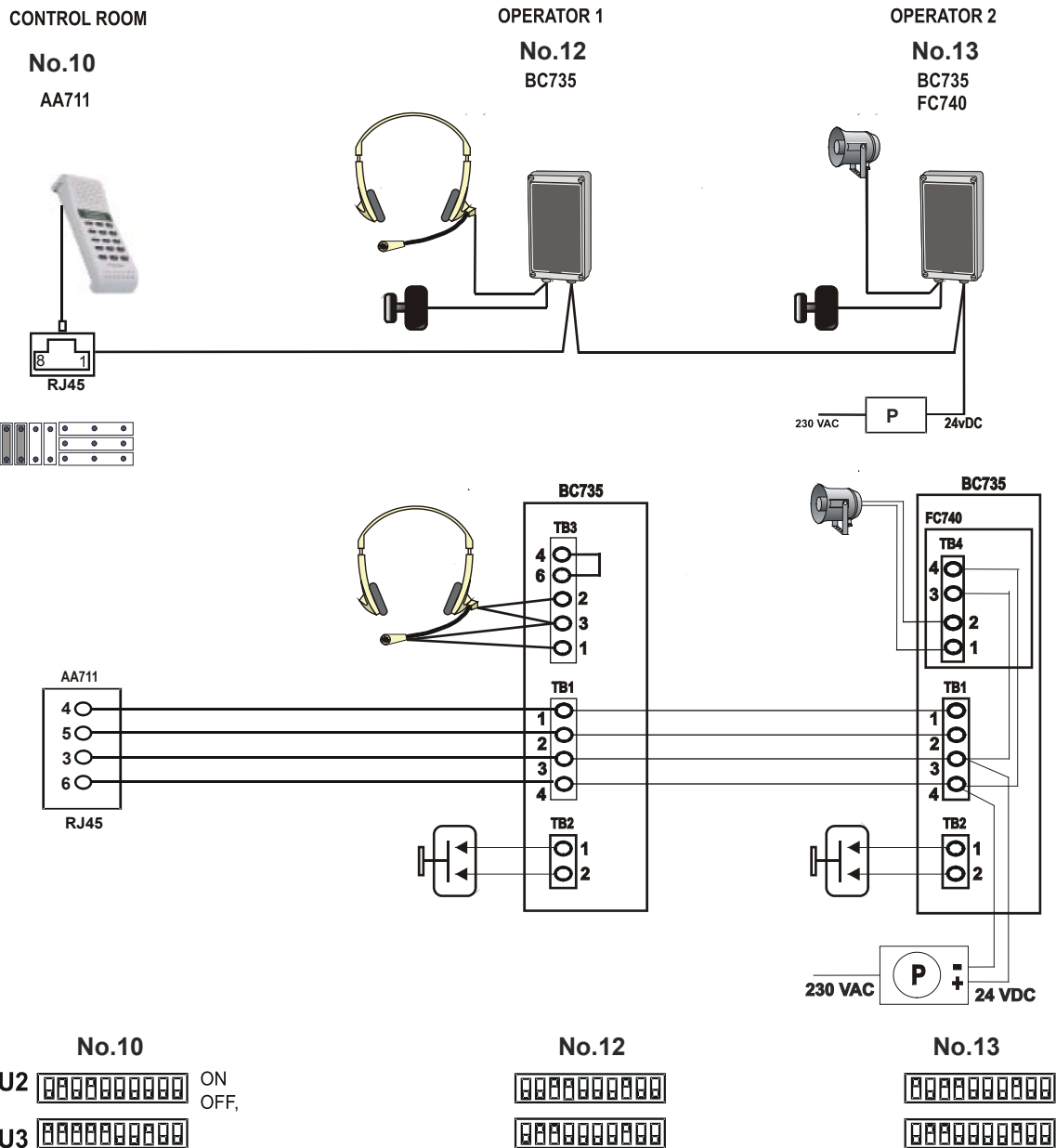


COMMAND SYSTEM Heavy Industry



P = Power supply

Operators in a factory are working next to heavy machinery, wearing thick gloves. During the process they need to call the control room. A heavy duty push button is mounted next to the BC735 unit. The operator will press it with his elbow to make a call. One operator is using a headset with a dynamic noise cancelling microphone.

All operators making calls are queued to the control room station, and the calls are accepted one by one.

The loudspeakers are also operating as a microphone.

All-call is used for general information from Station 10.