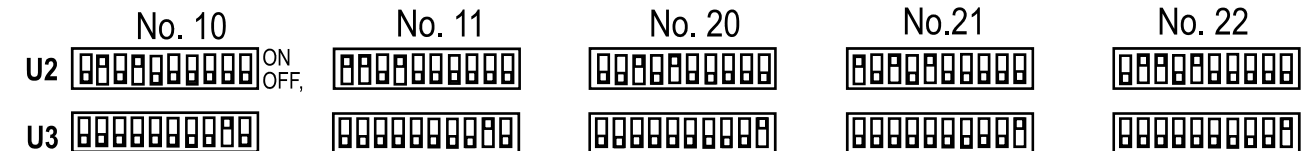
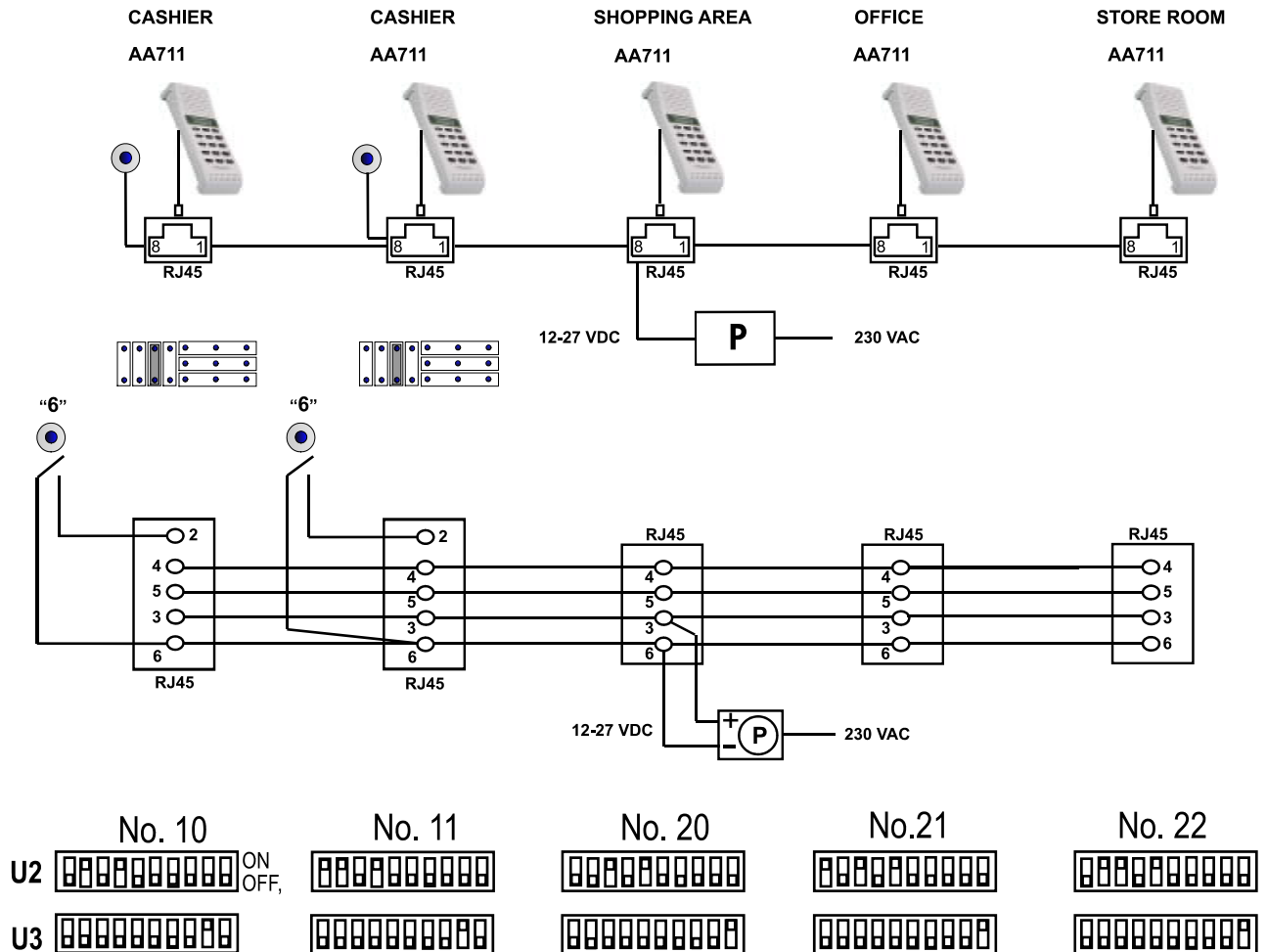


SUPERMARKET

Cashiers can request assistance for prices, money, and during Emergency (Silent Alarm)



P: Power supply. Should be located as close to the centre of the installation as possible.

Normal calls can be initiated between all stations

A 'silent alarm' call can be made by pressing the hidden button at the cashiers positions.

The alarm request will be announced in the loudspeakers of stations 21, 22 and 23.

There will be no signal in the loudspeaker of the cashiers stations 10 or 11.

This example is only one of many possible configurations for a system in a supermarket.