

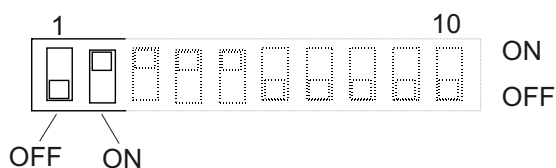
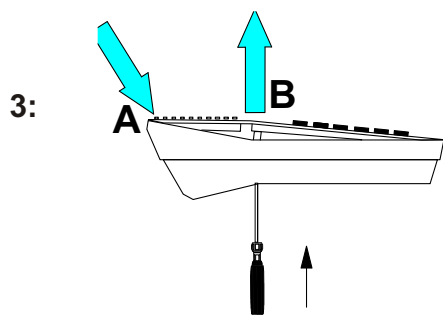
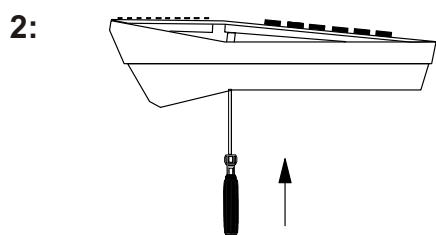
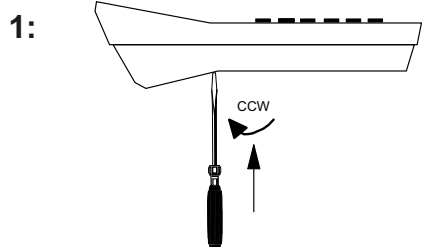
Configuration sheet

DISASSEMBLING STATIONS AA701 AND AB707

The programming switches for call number programming U2 are accessible from the back of the station. Just flip open the transparent plastic cover.

The programming switches for features and station operational modes U3 are located inside the station.

Use the following procedure to open up the station in order to reach U3.



1:
Loosen the screw which is holding the two cabinet halves together.

2:
When the screw is loose, use the screwdriver to press the screw into the cabinet.
The cabinet will now open up.

3:
Keep the pressure on the screwdriver. Use one finger to press down at A, while holding the cabinet with one finger on each side of the front plate at B, and pull up at B.

4:
Reverse the process to assemble the station again.

5:
U2 and U3 switch position identification.

Pro700

15 911 003

Pro700 products are developed and marketed by ZENITEL NORWAY ASA.
The company's Quality Assurance System is certified to meet the requirements in NS-EN ISO 9001:2000. ZENITEL NORWAY ASA reserves the right to modify designs and alter specifications without prior notice, in pursuance of a policy of continuous improvement.