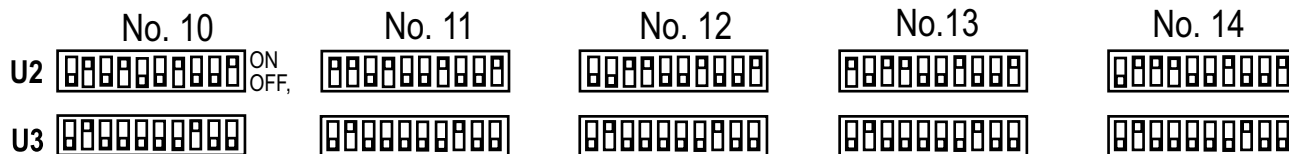
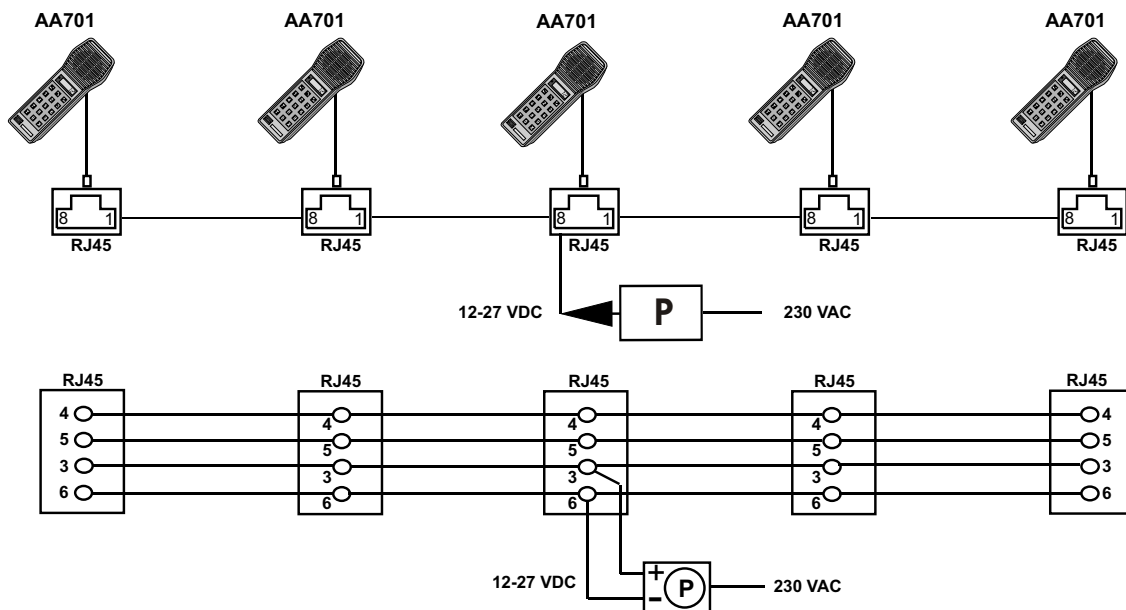


Configuration sheet

HOSPITAL

Ward - Reception - Lab - - - -

Direct dialling with emergency call



P: Power supply. Should be located as close to the centre of the installation as possible.

All stations are programmed as direct dialling 10 keys stations.

All stations are programmed with priority.

A total of 8 stations can be connected in this system.

Button no.1 will dial 11

Button no.2 will dial 12

ETC

One button will dial own number and is therefore not used.

Button no.9 will make an emergency call. All the other stations will receive this call simultaneously when button no.9 is pressed in one of the stations. The emergency call will be cancelled automatically when button no.9 is released.

Emergency call will automatically cancel an ongoing conversation, which has been established by pressing one of the buttons from 0 to 8 (direct dialling) in one of the other stations.

Pro700

15 911 016

Pro700 products are developed and marketed by ZENITEL NORWAY ASA. The company's Quality Assurance System is certified to meet the requirements in NS-EN ISO 9001:2000. ZENITEL NORWAY ASA reserves the right to modify designs and alter specifications without prior notice, in pursuance of a policy of continuous improvement.