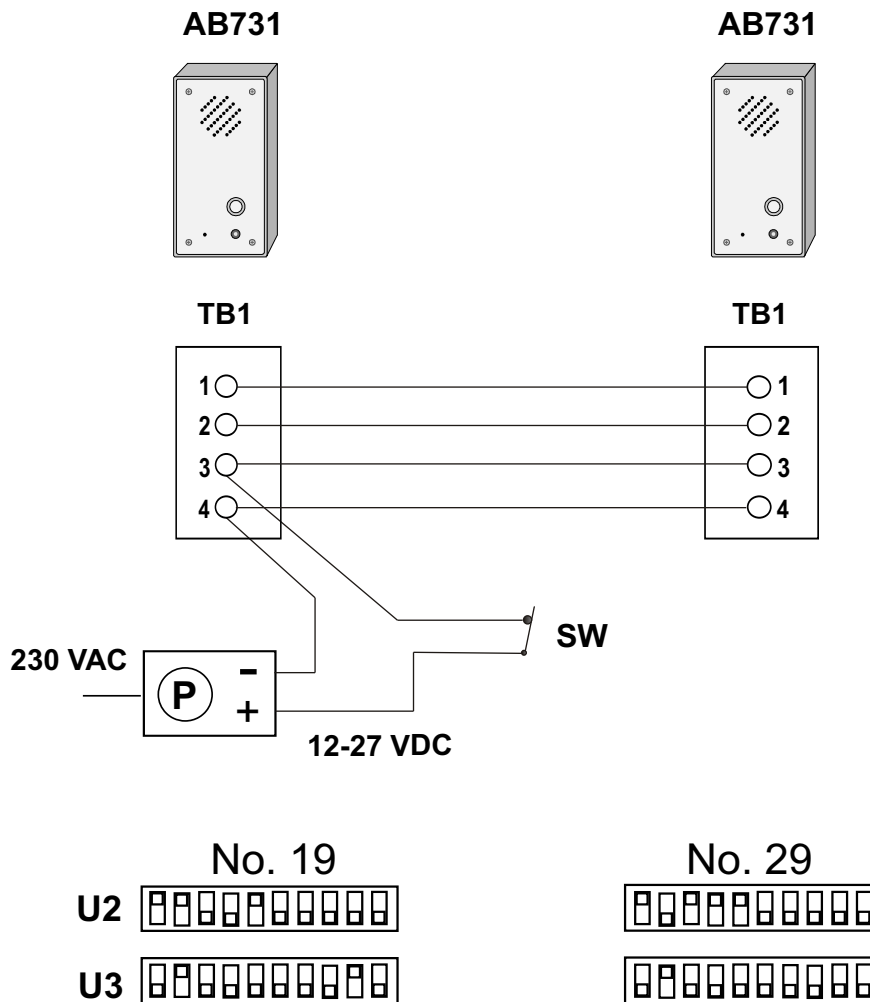


# Configuration sheet

## JAIL Visitor area communication



**P:** Powersupply

**SW:** Switch operated by the guard to enable/disable communication.

Two stations are located on each side of the window in the visitor room

The guard must turn on switch SW to permit conversation.

The connection can be established from any of the two stations by pressing the call button.

The guard will open switch SW to terminate the conversation.

**Pro700**

15 911 010

Pro700 products are developed and marketed by ZENITEL NORWAY ASA.  
The company's Quality Assurance System is certified to meet the requirements in  
NS-EN ISO 9001:2000. ZENITEL NORWAY ASA reserves the right to modify designs and  
alter specifications without prior notice, in pursuance of a policy of continuous improvement.