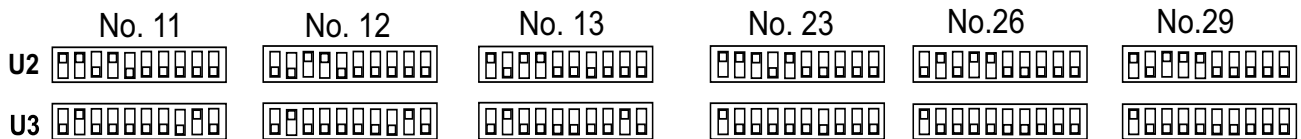
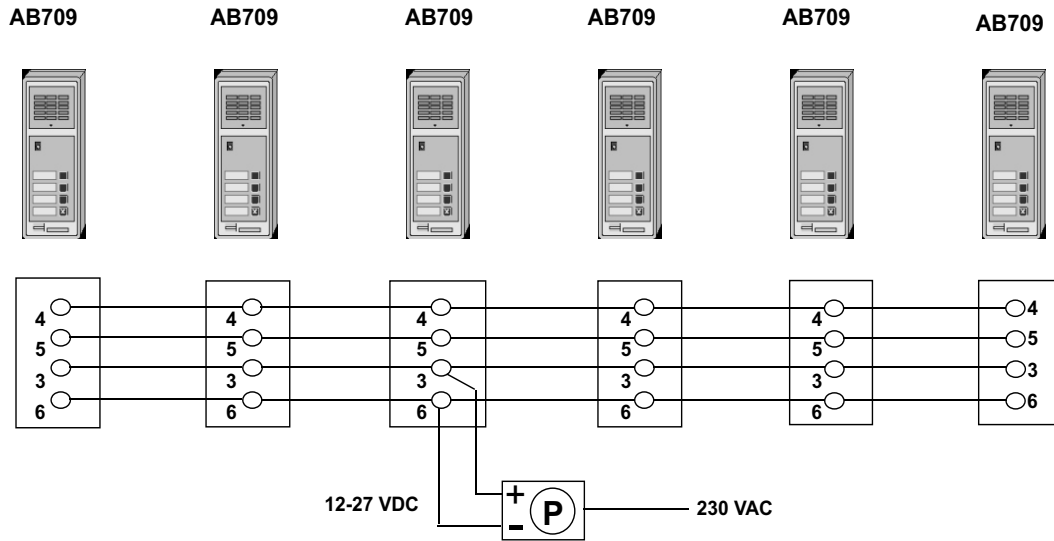


Configuration sheet

LABORATORY Layout alt. 2



P: Powersupply

6 sub stations with 3 call buttons are connected into 2 groups.

Stations no.11,12 and 13 are programmed as direct dial 10 keys stations, and can directly call stations no. 23,26 and 29.

Stations no. 23,26 and 29 are programmed as direct dial 3 keys stations and can directly call stations no.11,12 and 13.

All stations can cancel the connection by pressing the "X" button.

Pro700

15 911 012

Pro700 products are developed and marketed by ZENITEL NORWAY ASA.
The company's Quality Assurance System is certified to meet the requirements in NS-EN ISO 9001:2000. ZENITEL NORWAY ASA reserves the right to modify designs and alter specifications without prior notice, in pursuance of a policy of continuous improvement.