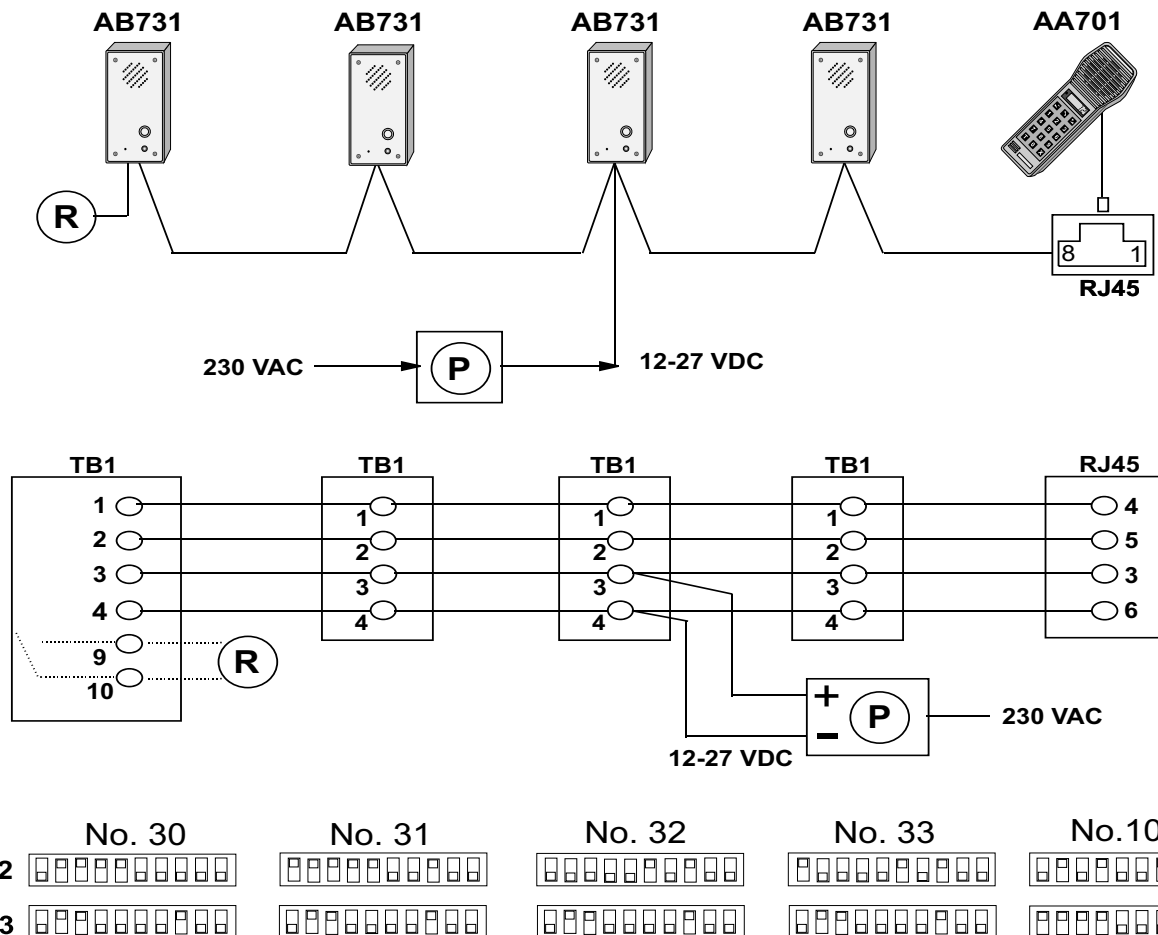


Configuration sheet

POLICE STATION Guard - Cell Communication



CALL ANNUNCIATION SYSTEM (CAS) WITH ONE GUARD

Four one button stations AB731 are located inside the cells in a jail.
 The internal relay in station no.30 is used to open the door in that cell.
 The internal relay is operated from station no.10 by pressing the "5" when no.10 and 30 are connected in conversation.
 All stations no.30, 31, 32 and 33 will receive a ringing tone when waiting in the call (CAS) queue.

R: Door lock. Operated via the potential free contact inside the station
 P: Power supply. Should be located as close to the centre of the installation as possible.

All AB731 stations can make a call by pressing the call button. The call queue will be indicated in the display of station no.10.

The calls are accepted one by one by pressing the "0" button in station no.10.

Station no.10 can also dial the call number to all cell stations.

Stations no.31, 32 and 33 can receive an All-Call message initiated from no.10.

Pro700

15 911 006

Pro700 products are developed and marketed by ZENITEL NORWAY ASA.
 The company's Quality Assurance System is certified to meet the requirements in NS-EN ISO 9001:2000. ZENITEL NORWAY ASA reserves the right to modify designs and alter specifications without prior notice, in pursuance of a policy of continuous improvement.