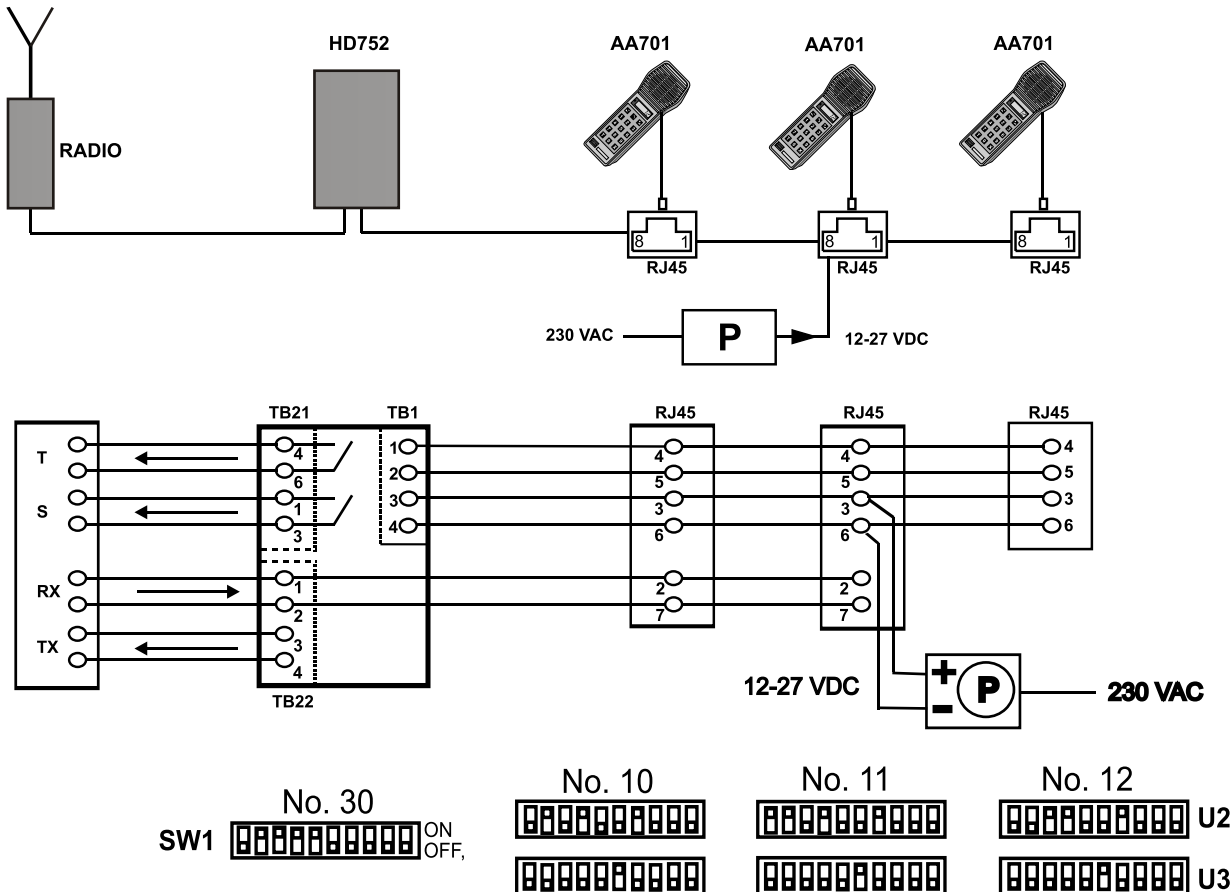


Configuration sheet

RADIO COMMUNICATION Open network. Alt. 1. Indirect call - in



P: Power supply.

T: Talk. Simplex operation. Controlled by the press to talk "T" button on the conversing station.

S: Start (for duplex operation). If required by the radio set. Will be closed during the whole conversation.

Stations 10, 11 and 12 can call each other.

Stations 10, 11 and 12 can make a radio call by dialling the call number to interface HD 752, which is 30.

The radio call is open and will be heard by everyone listening on the frequency.

The program distribution pair to stations 10 and 11 are connected to the RX line from the radio.

Stations 10 and 11 can listen to the program channel by dialling 96. All radio traffic can now be monitored by station 10 and 11. When an in-coming call is identified, then stations 10 or 11 can dial 30 to the HD 752 interface and talk to the radio that made the call. The incoming call can not be heard by station 12.

Pro700

15 911 014

Pro700 products are developed and marketed by ZENITEL NORWAY ASA. The company's Quality Assurance System is certified to meet the requirements in NS-EN ISO 9001:2000. ZENITEL NORWAY ASA reserves the right to modify designs and alter specifications without prior notice, in pursuance of a policy of continuous improvement.