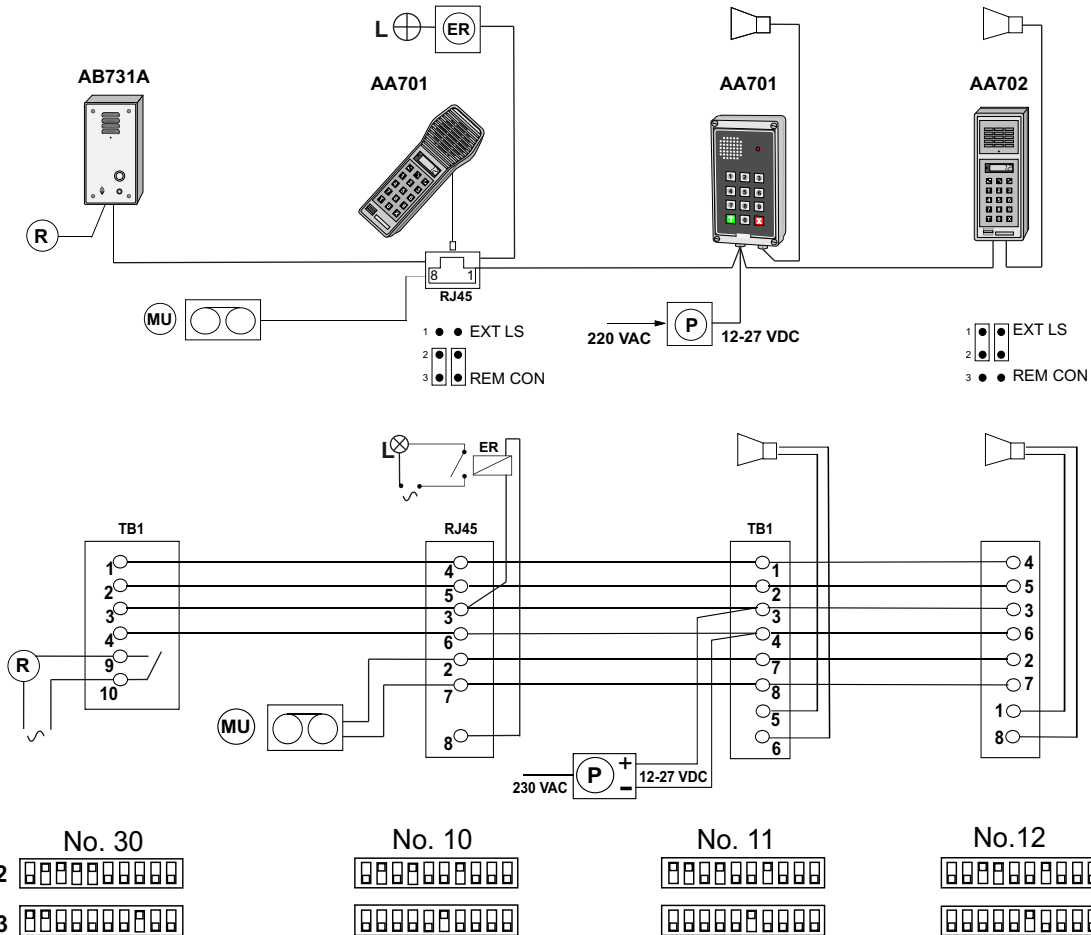


# Configuration sheet

## SMALL INDUSTRY Door-Office-Workshop-Store



- R: Door Lock  
 L: Call-Lamp outside the office  
 ER: External relay for operation of the call lamp. Pin 8 of station no.10 can supply 30mA to the external relay  
 MU: Tape recorder  
 P: Power supply

Door station, No. 30, is making a door-bell call to the stations inside the building.  
 Stations No. 10, 11 and 12 can accept the doorbell call by pressing button "5".  
 No. 10, 11 and 12 can press button "5" during conversation to operate the relay inside station no.30, to open the door..  
 When stations no.11 and 12 have established a connection with the office no.10, they can press the "5" button to operate the lamp. The lamp is located outside the office door to inform about the call if the person is outside the office.  
 Stations No.10,11 and 12 can dial 96 to listen to music.

**Pro700**

15 911 013

Pro700 products are developed and marketed by ZENITEL NORWAY ASA. The company's Quality Assurance System is certified to meet the requirements in NS-EN ISO 9001:2000. ZENITEL NORWAY ASA reserves the right to modify designs and alter specifications without prior notice, in pursuance of a policy of continuous improvement.